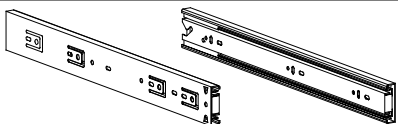

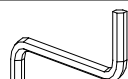
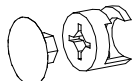


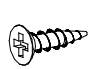
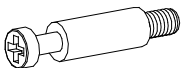

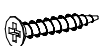
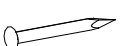

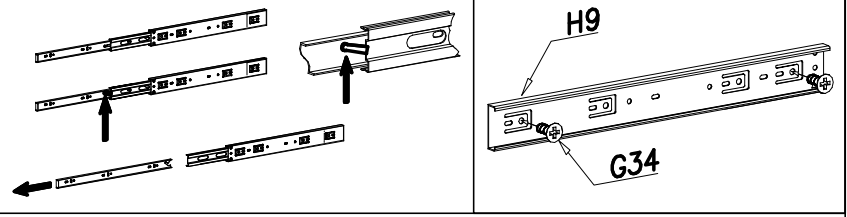
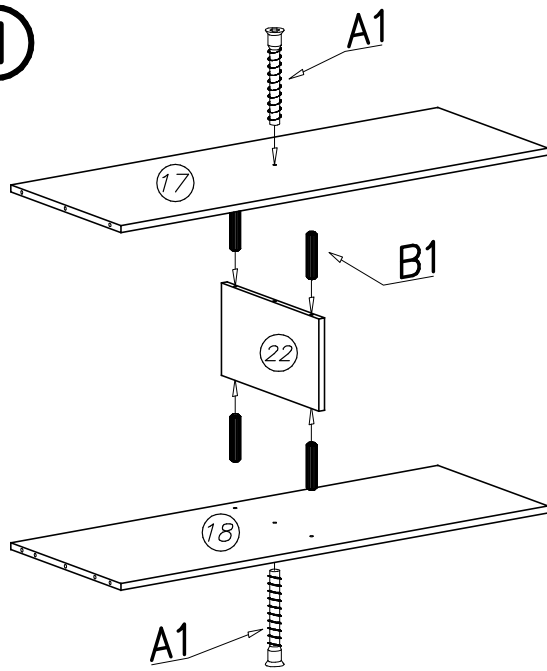
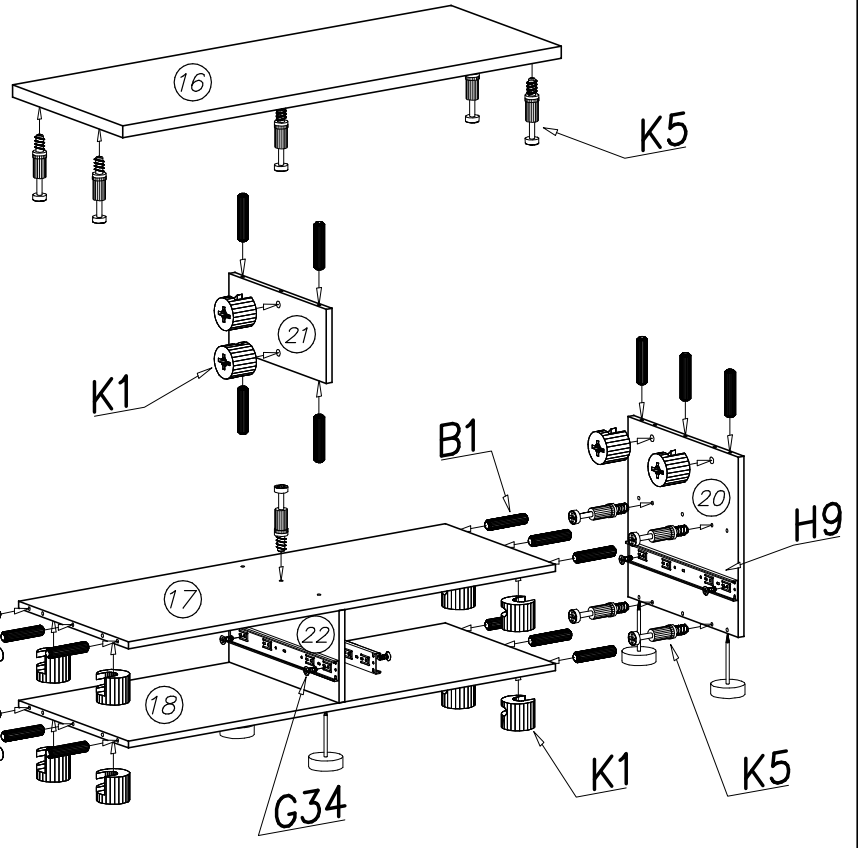


	H9  x3	A1  ø7x50 x2	W2  4mm x1
K1  ø15x12 x10	G8  4x25 x6	B1  ø8x35 x42	G34  3,5x16 x16
K5  x10	W1  GLUE, LEIM, LEPIDLO, LIM x1	G2  3x20 x30	W4  1,6x20 x50
			E7  x2

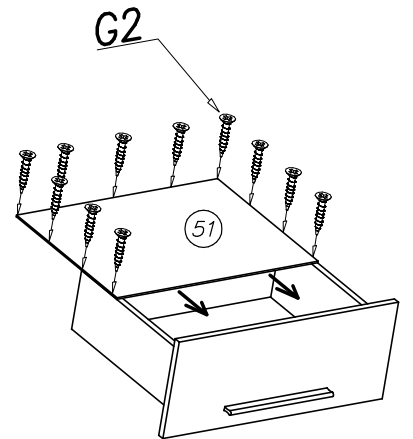
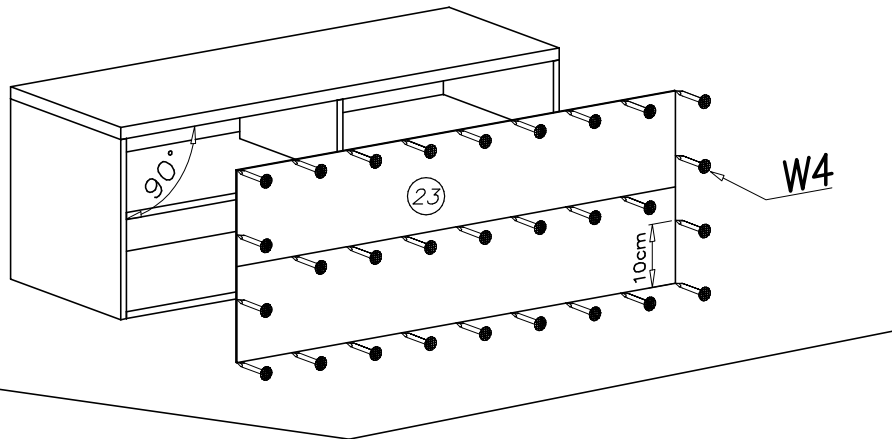
①



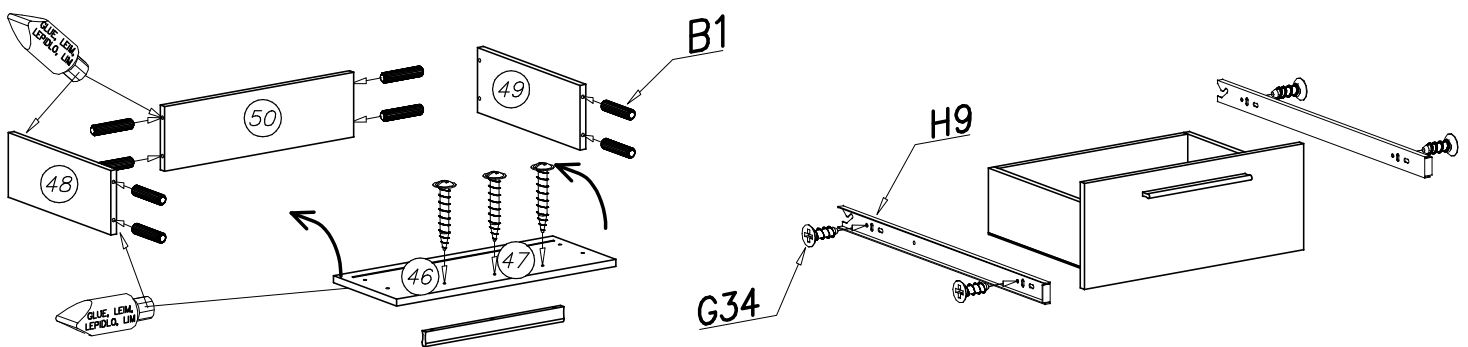
②

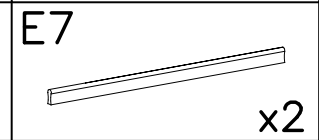
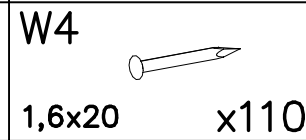
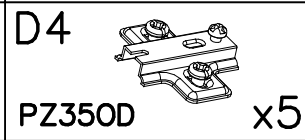
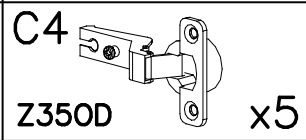
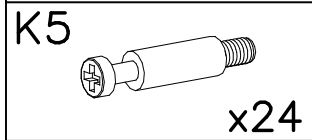
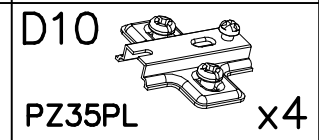
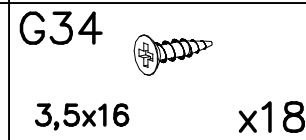
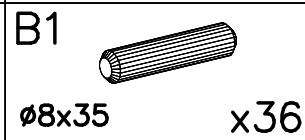
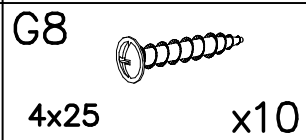
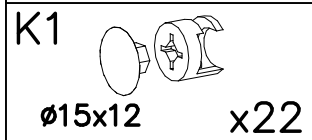
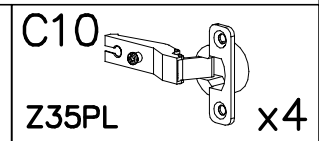
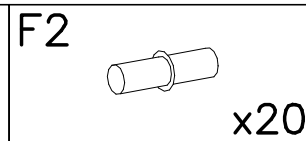
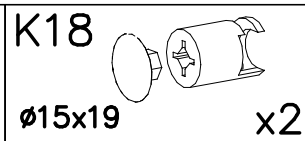
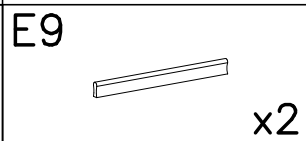
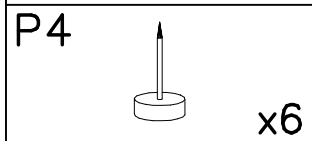
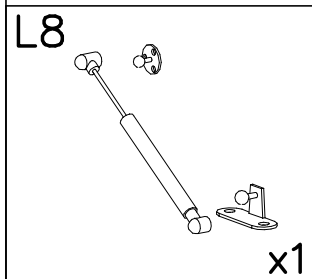
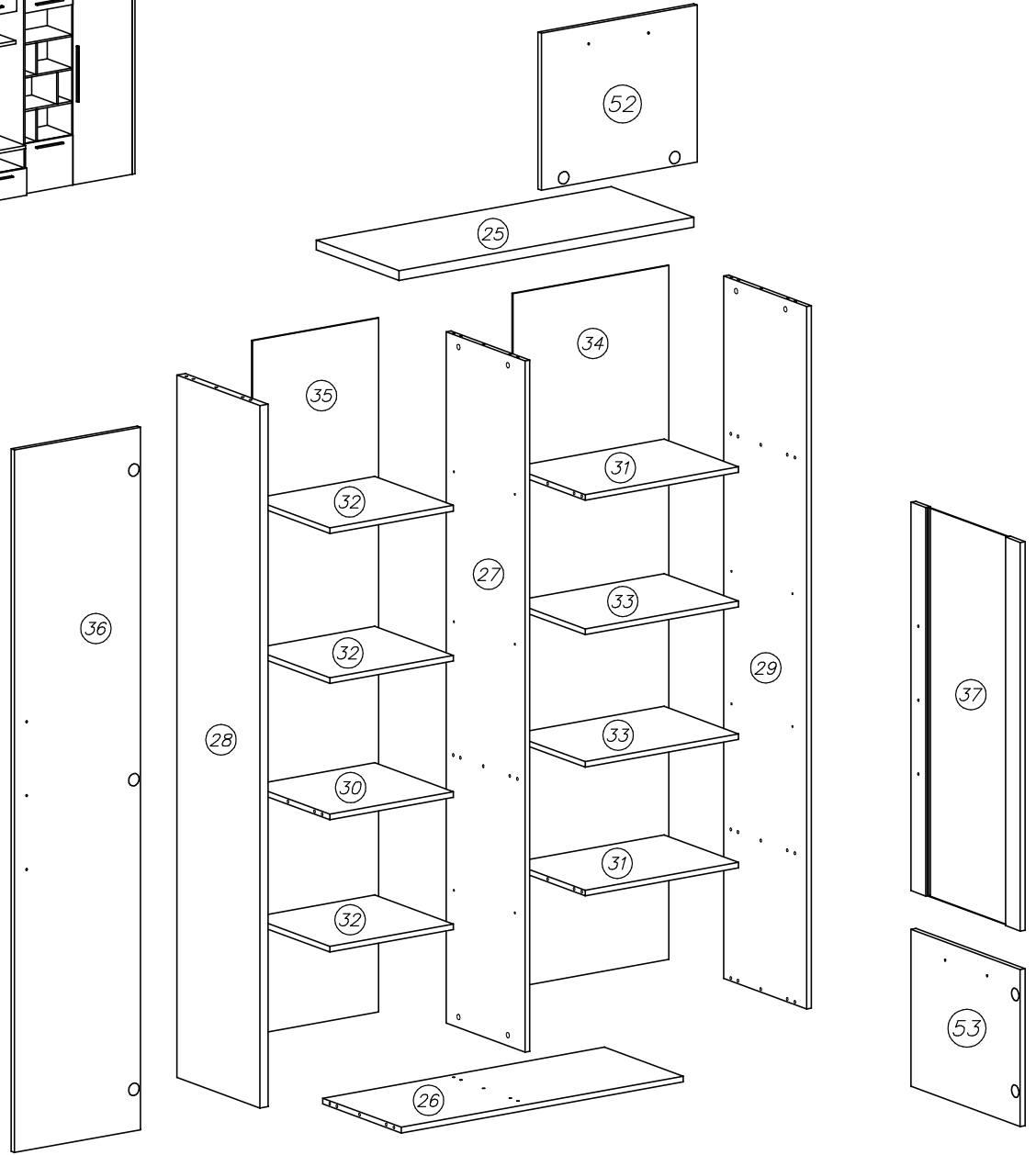
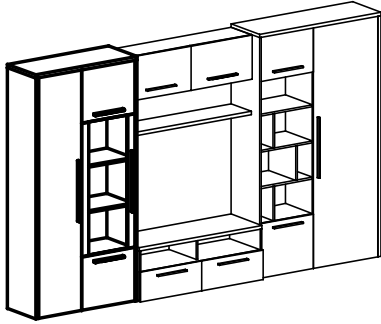
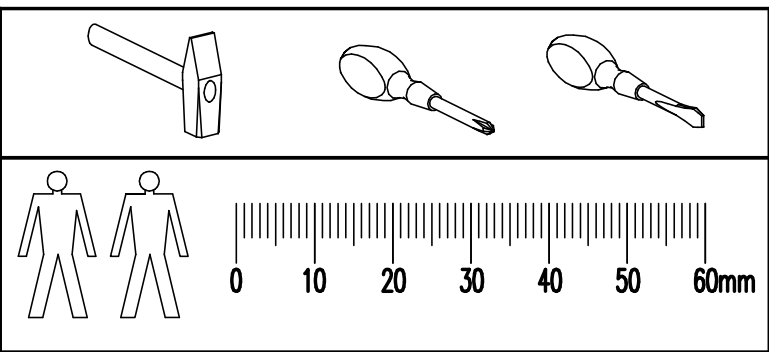
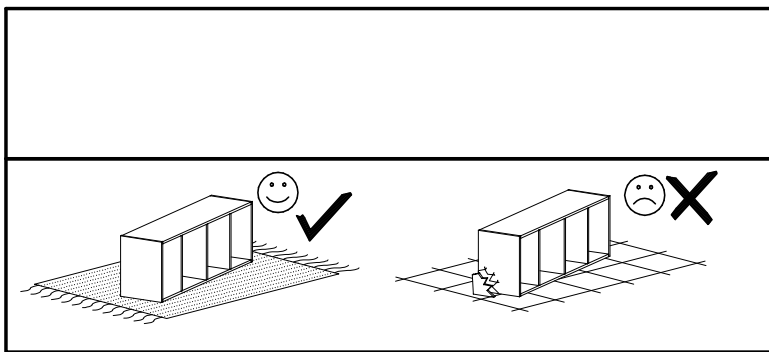


③

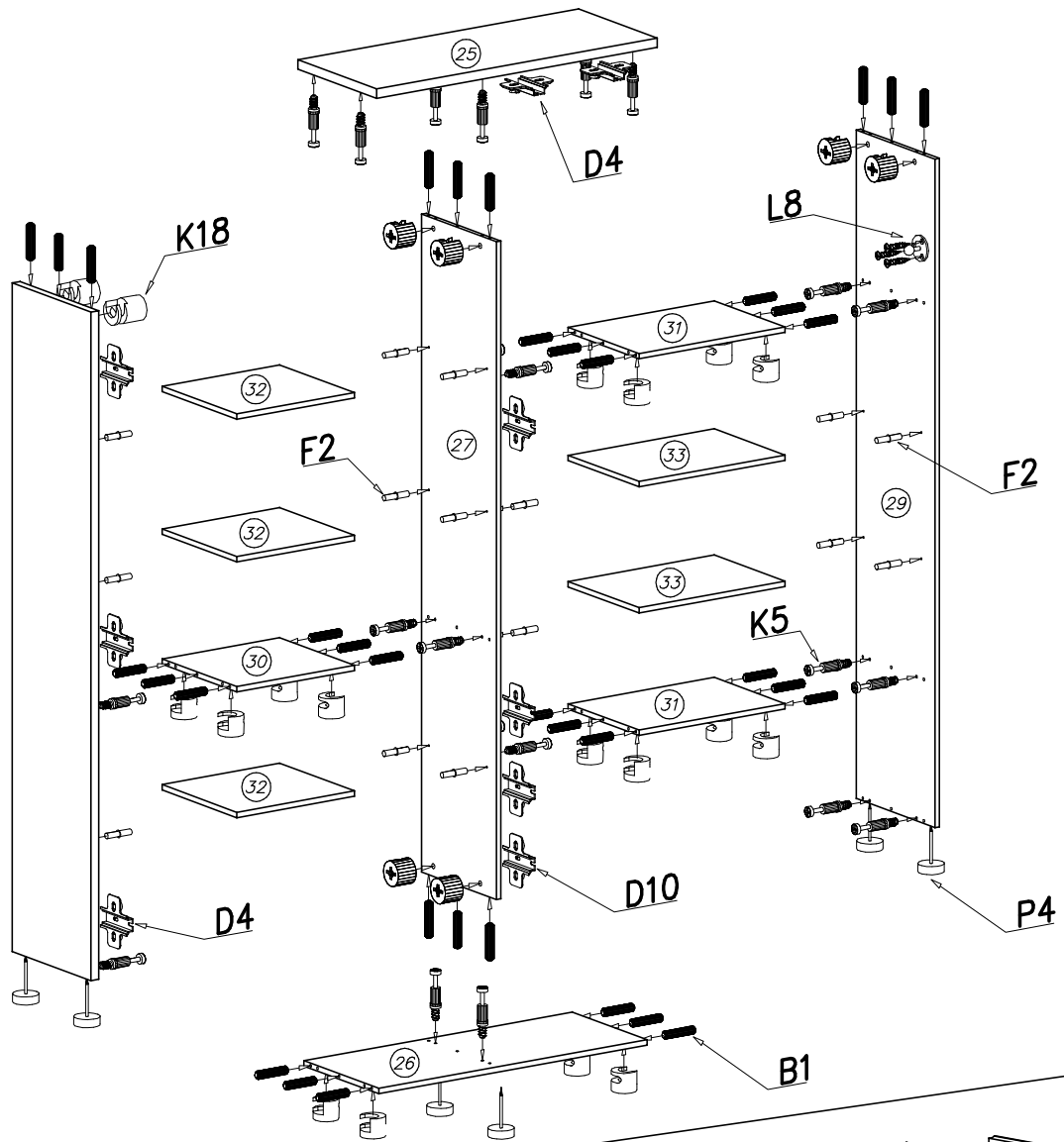


④

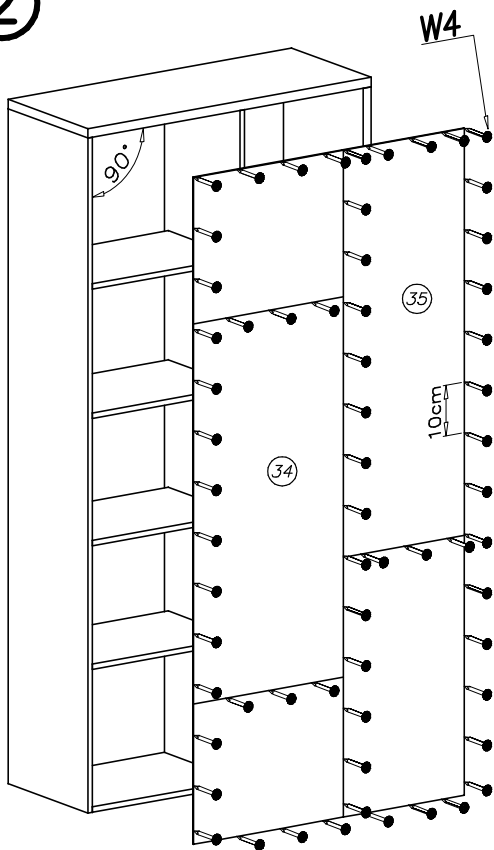




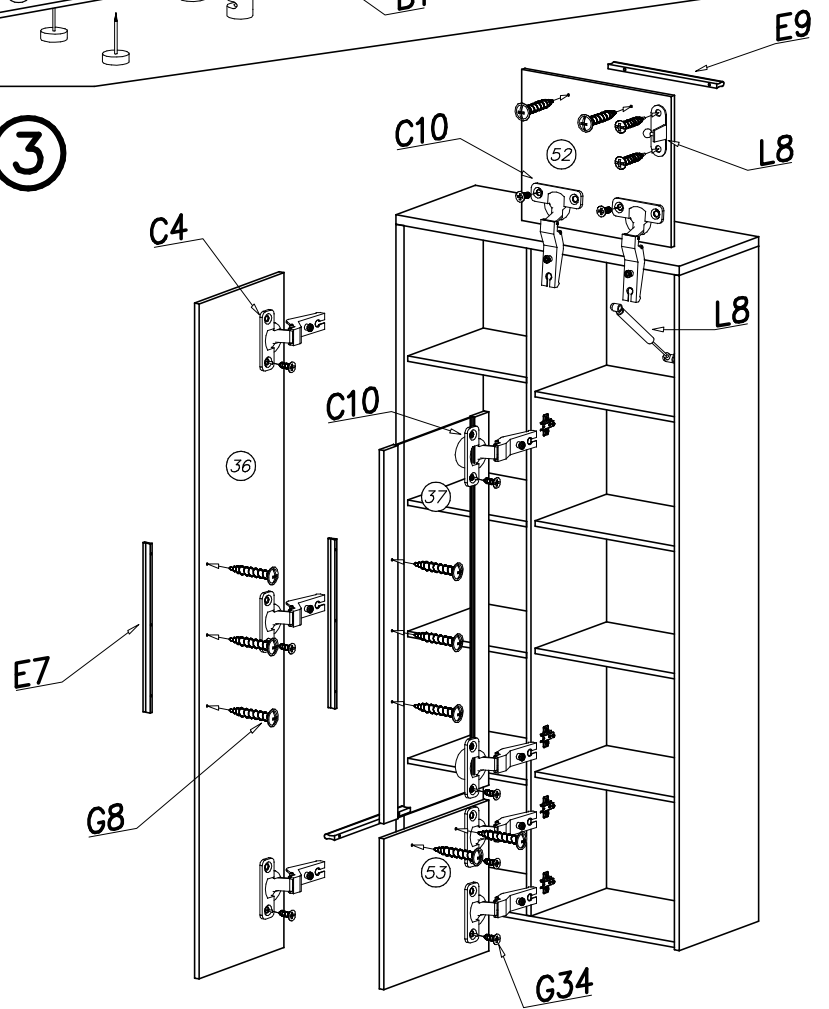
1

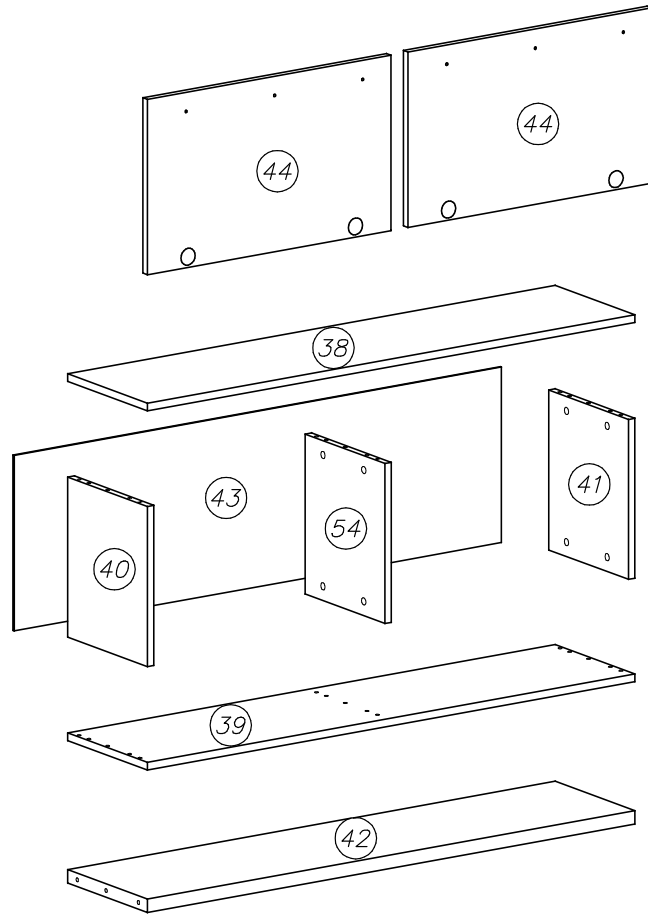
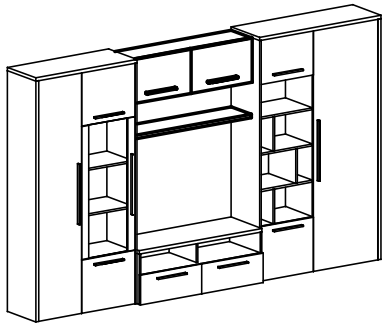
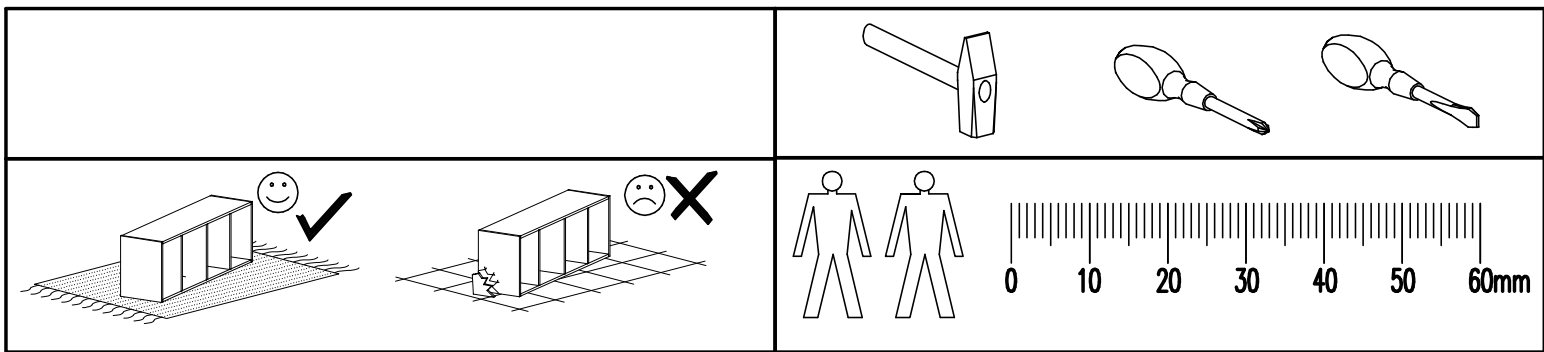


2



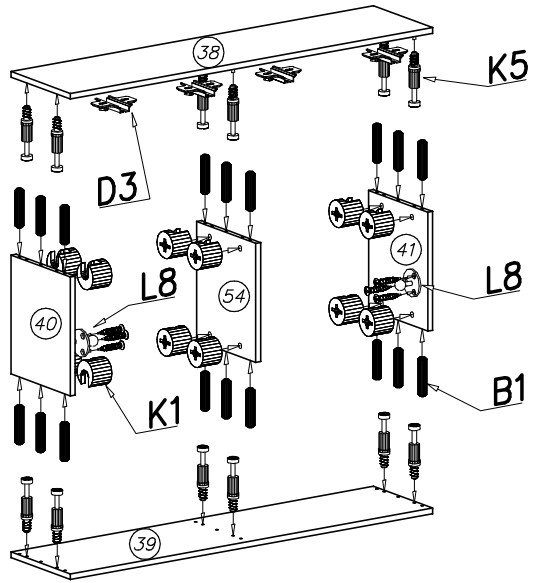
3



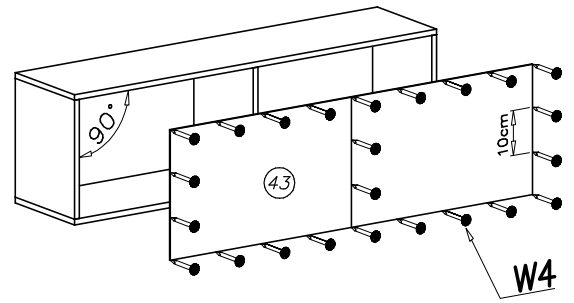


		G3 4x30 x6	K18 ø15x19 x2	L8 x2
K1 ø15x12 x14	G8 4x25 x6	B1 ø8x35 x22	G34 3,5x16 x8	
K5 x14	D3 PZ35PR x4	C3 Z35PR x4	W4 1,6x20 x30	E7 x2

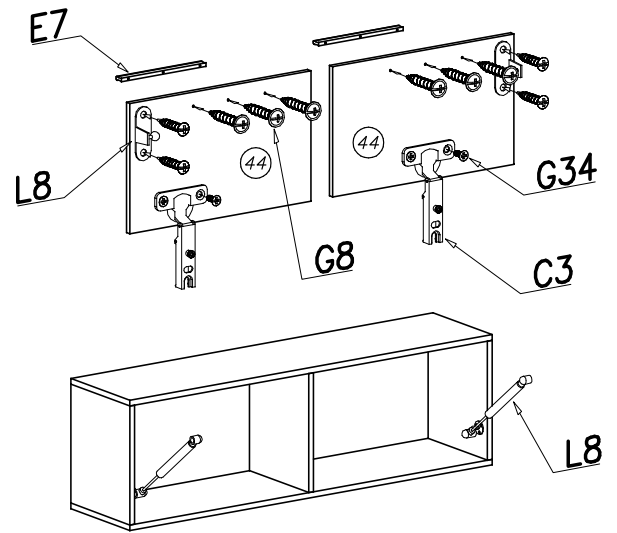
1



2



3



4

