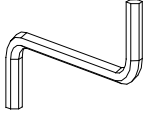

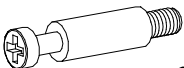

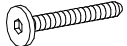




W2  x1	I7a  x7 ø18
--	--

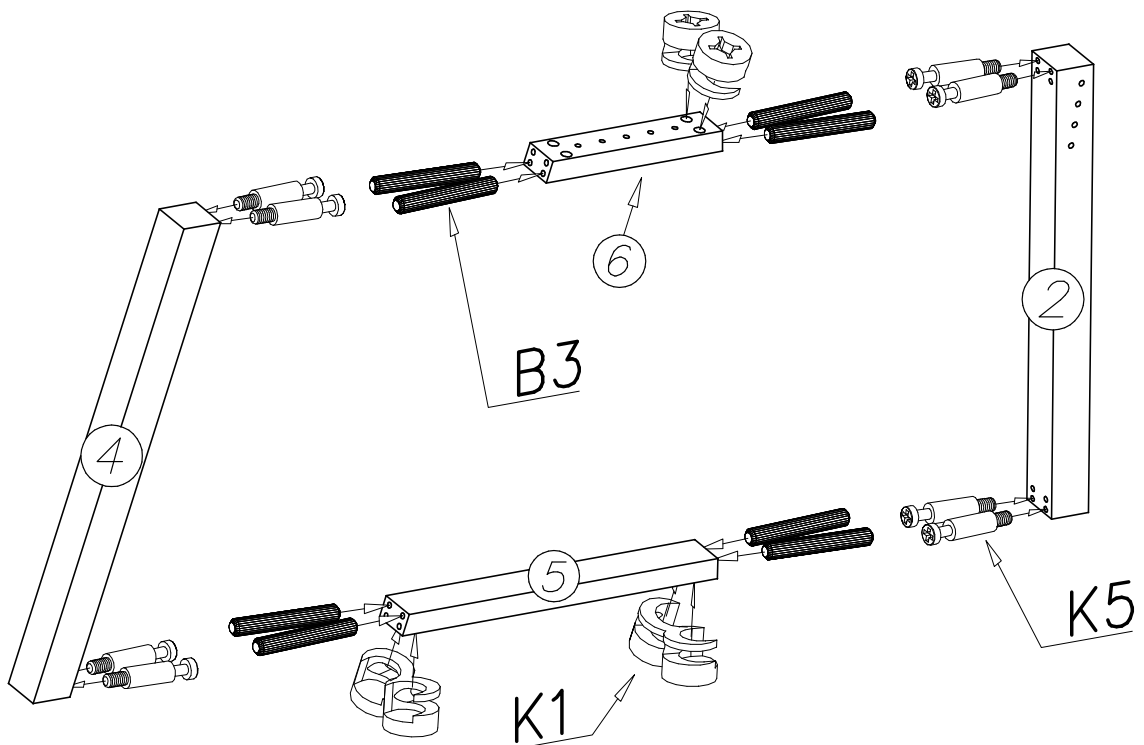
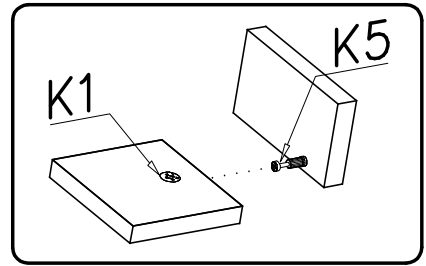
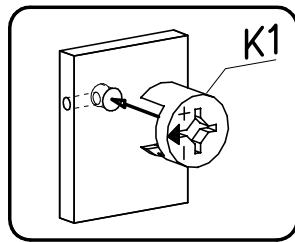
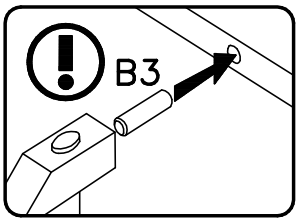
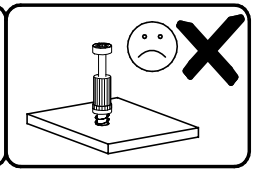
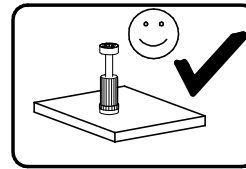
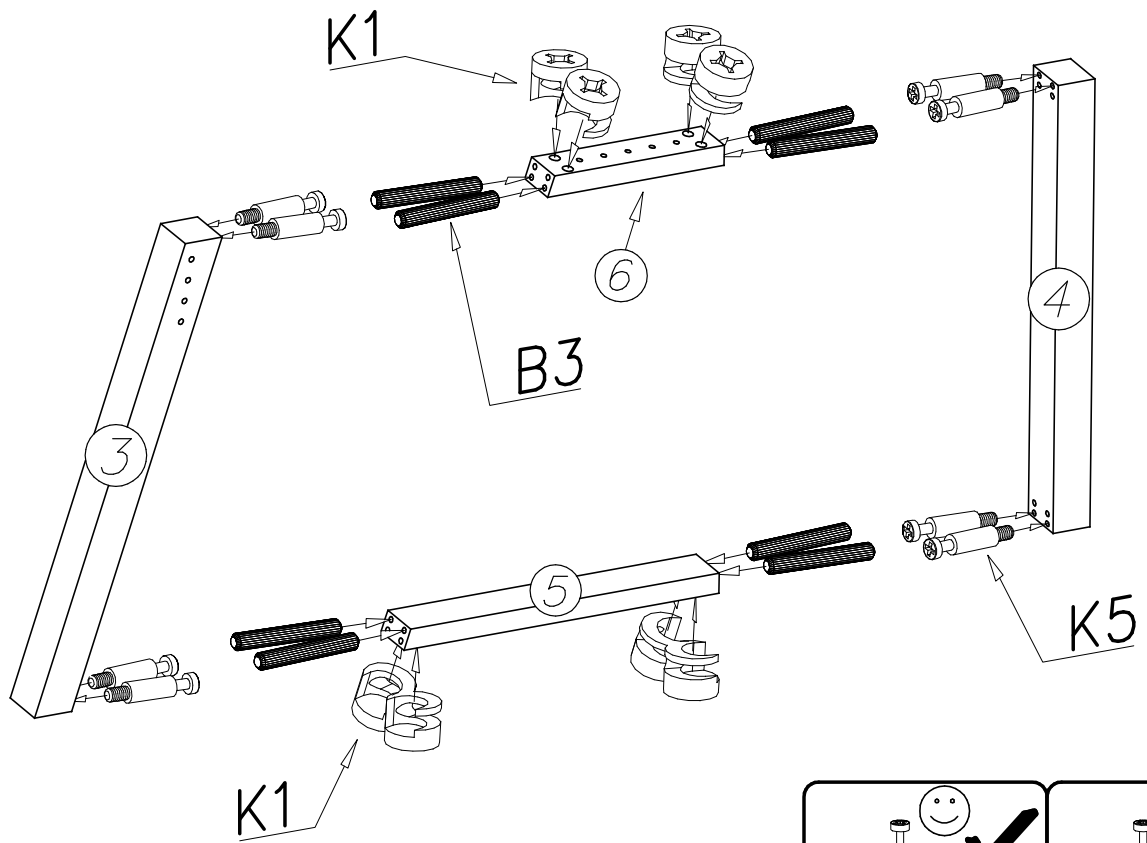
K5  x23	K1  x23 ø15x12
--	---

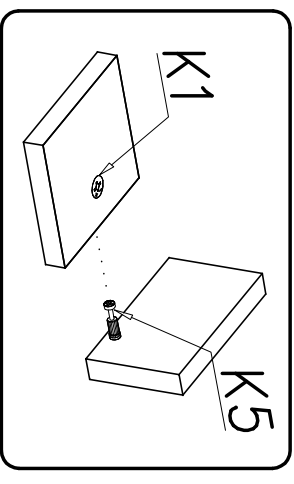
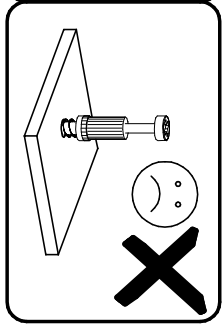
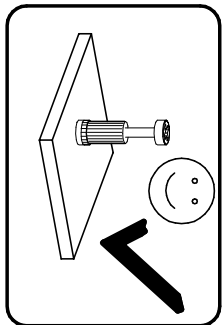
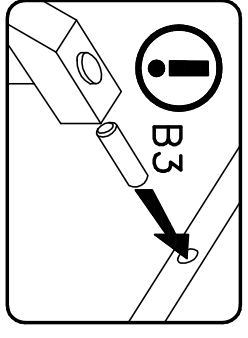
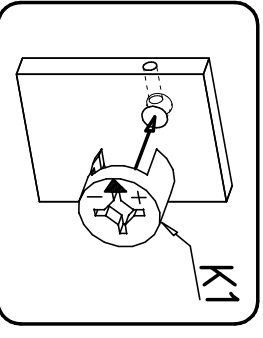
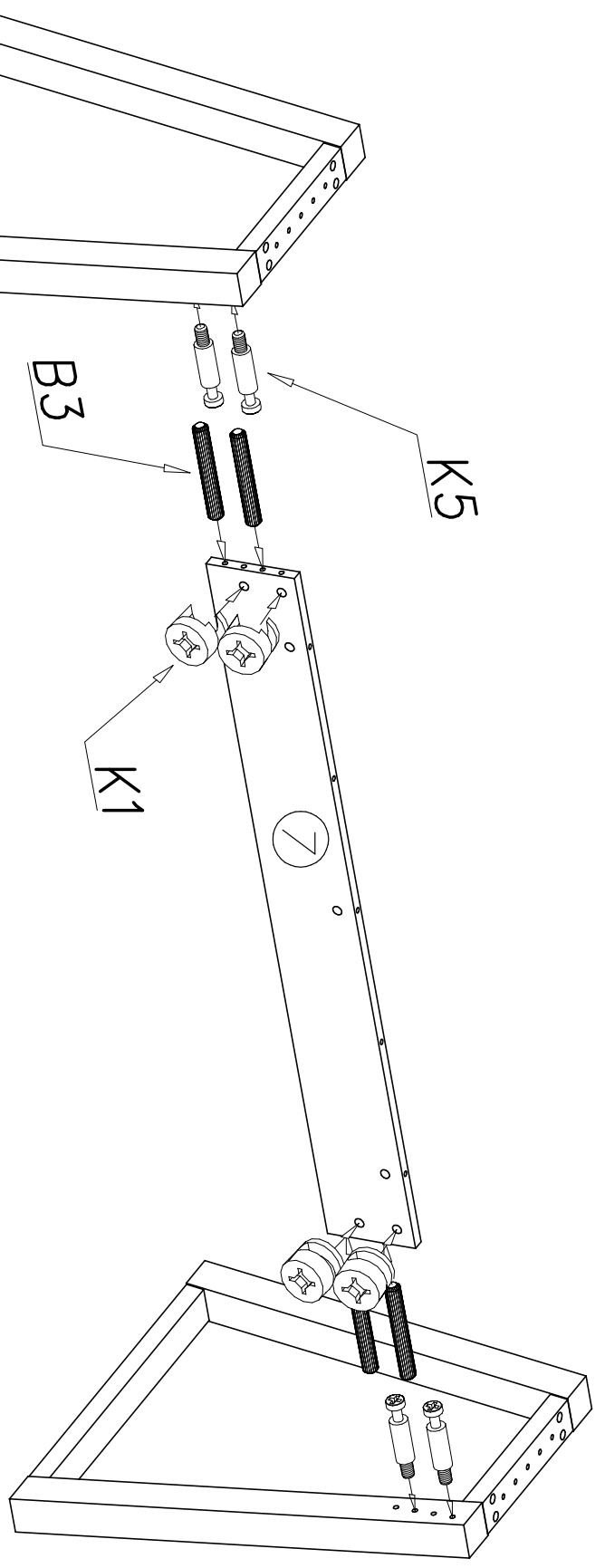
N31  x6 M8x50
--

B3  x20 ø8x50
--

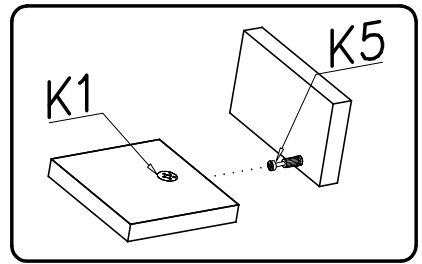
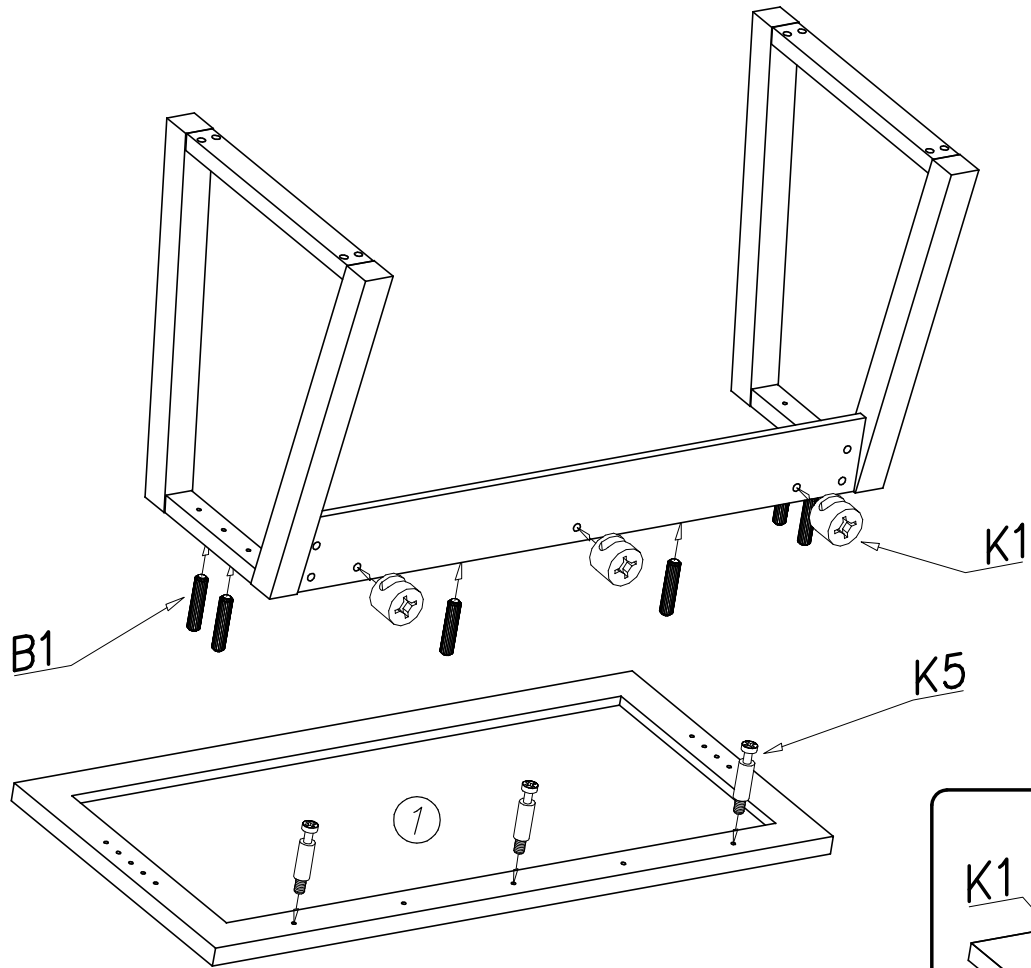
B1  x6 ø8x35

I

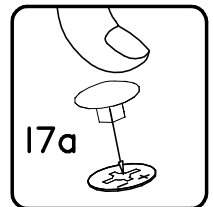
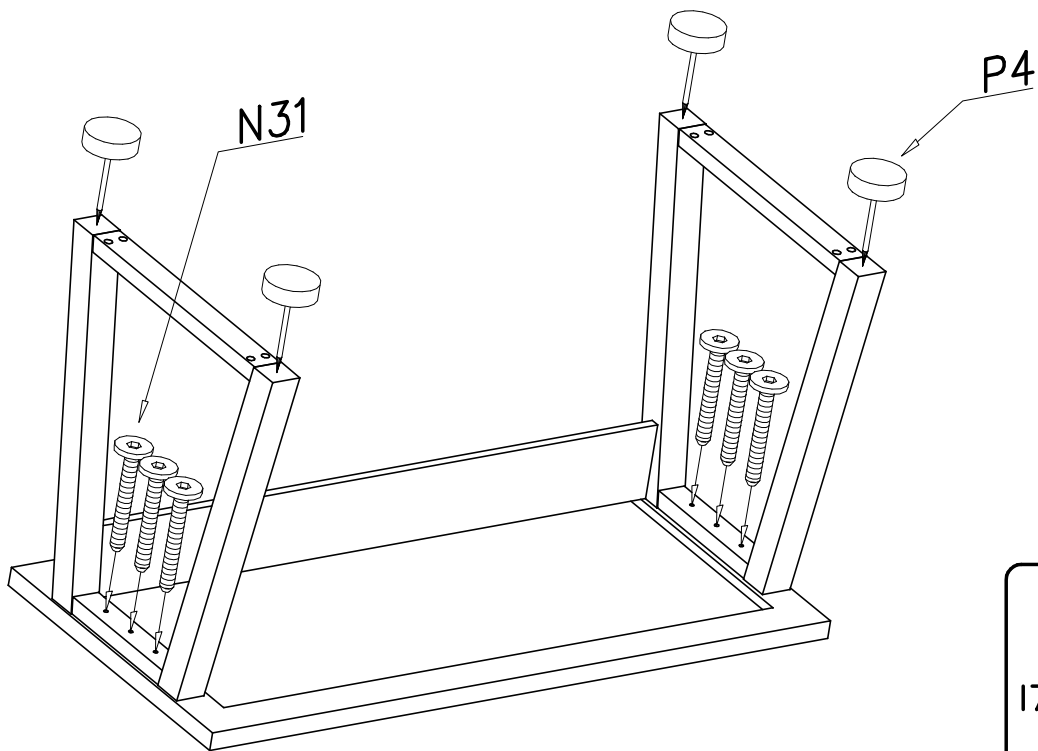


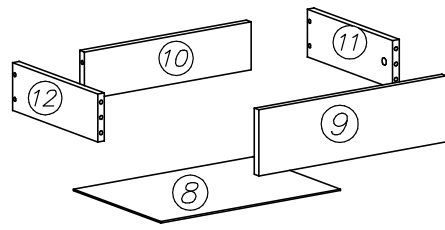
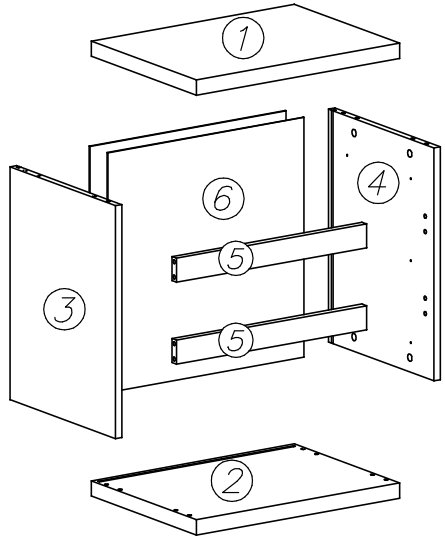
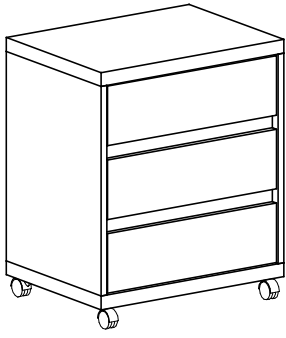
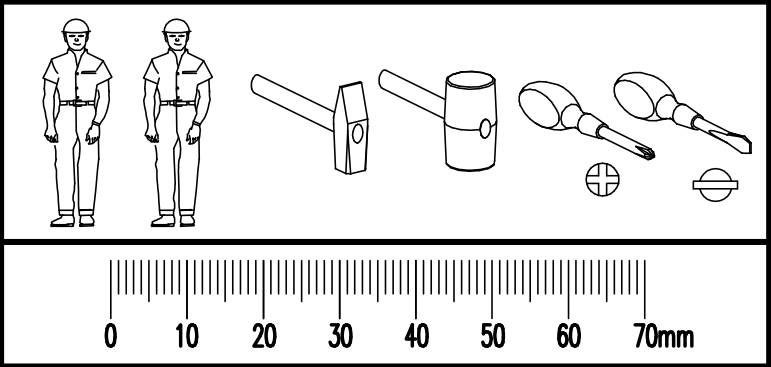
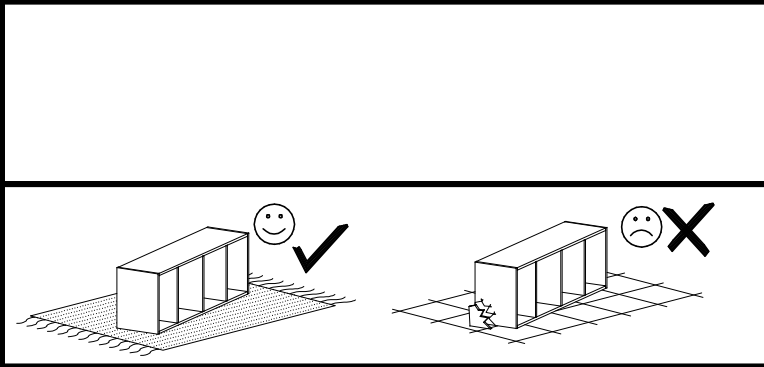


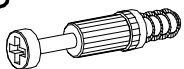

III




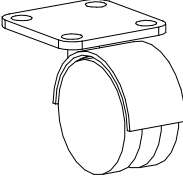
IV




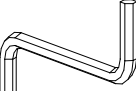


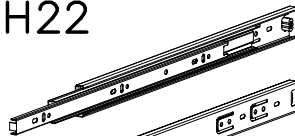
K5  x14	G21  3x16 x42
--	---


G34  3,5x16 x28


P7  x4
--


K1  ø15x13,2 x14
--

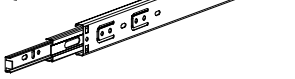
W2  4mm x1
--

H22  x3

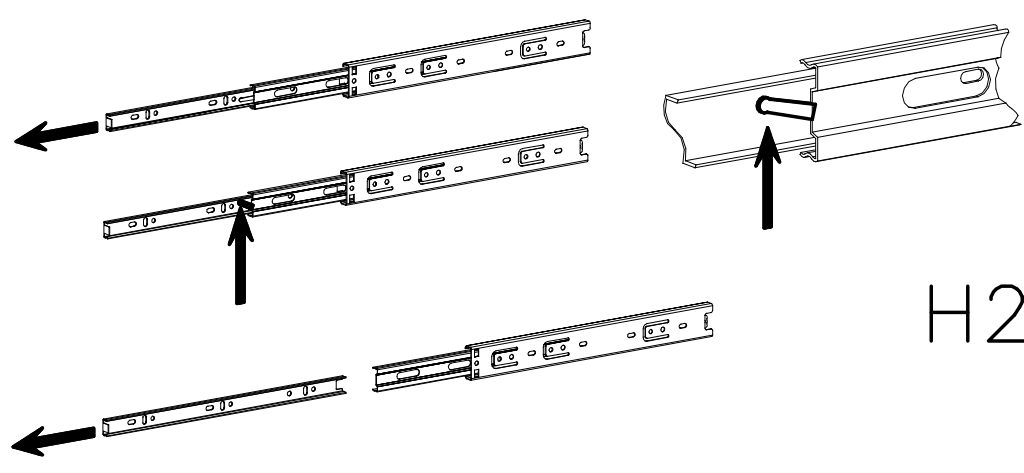
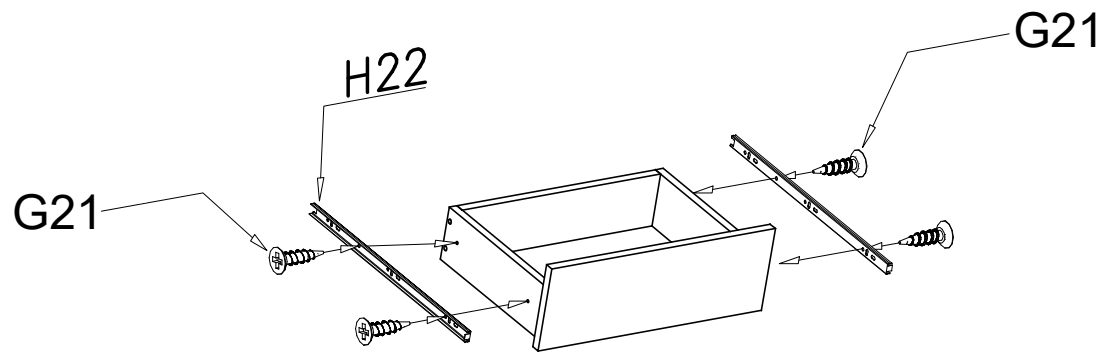
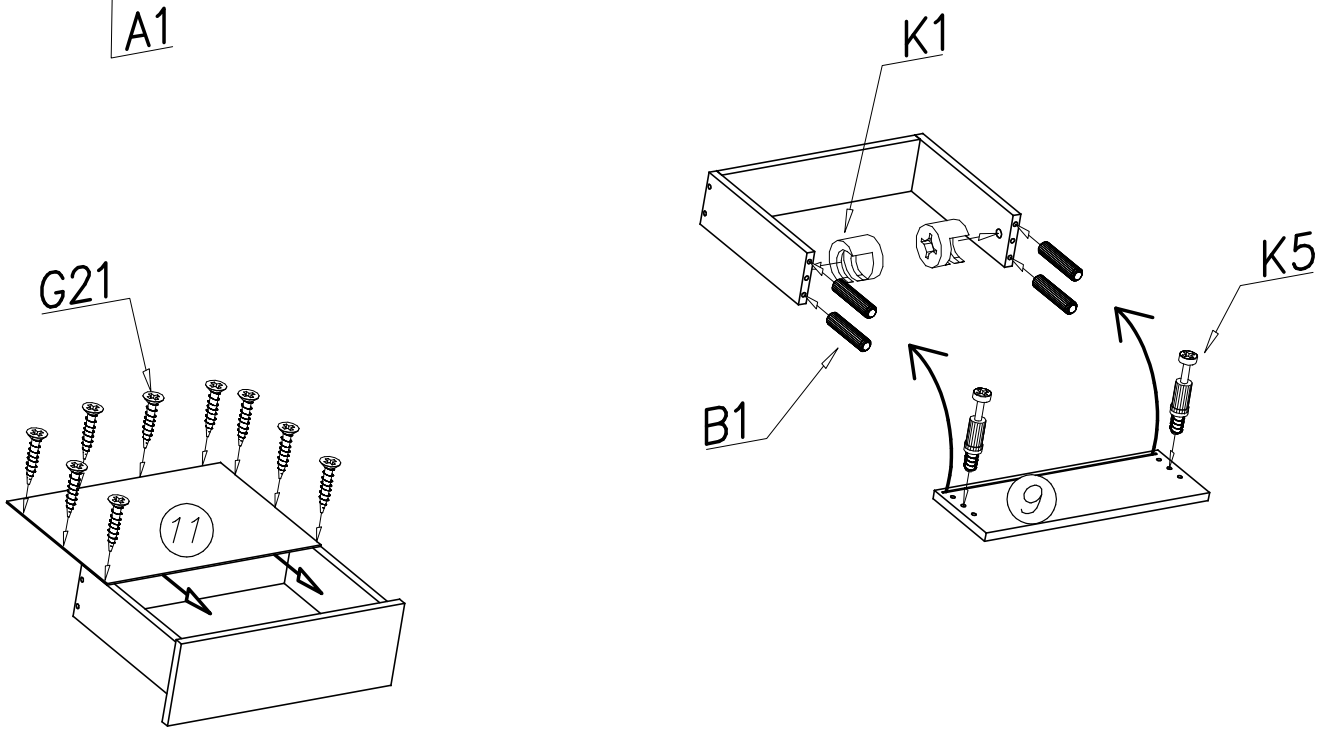
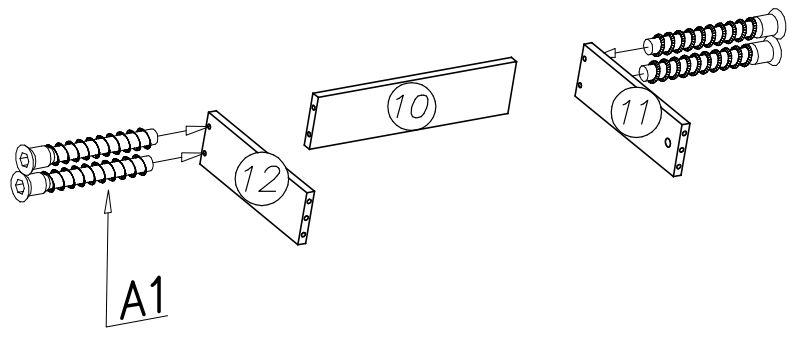
A1  ø7x50 x12
--

I7  ø18 x14

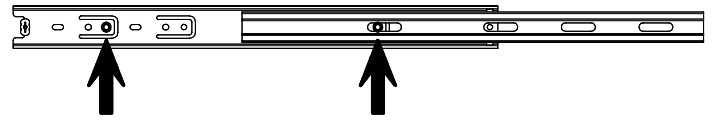
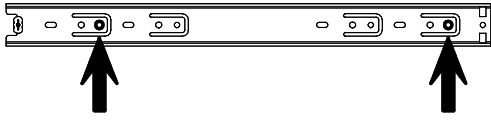
B1  ø8x35 x28

H22  x3

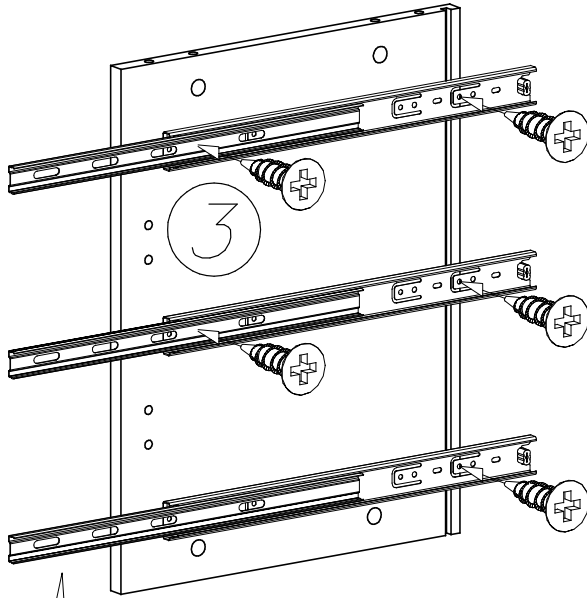
1



H22

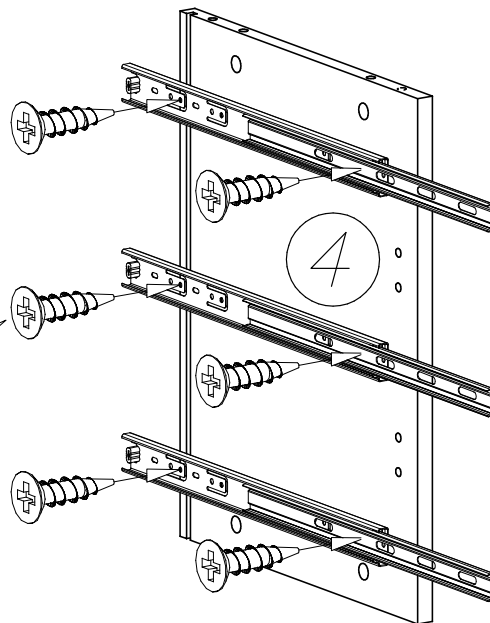


2



G34

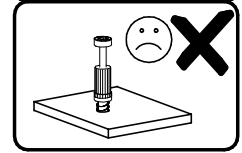
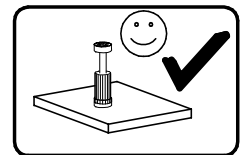
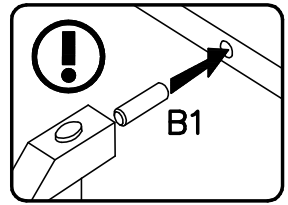
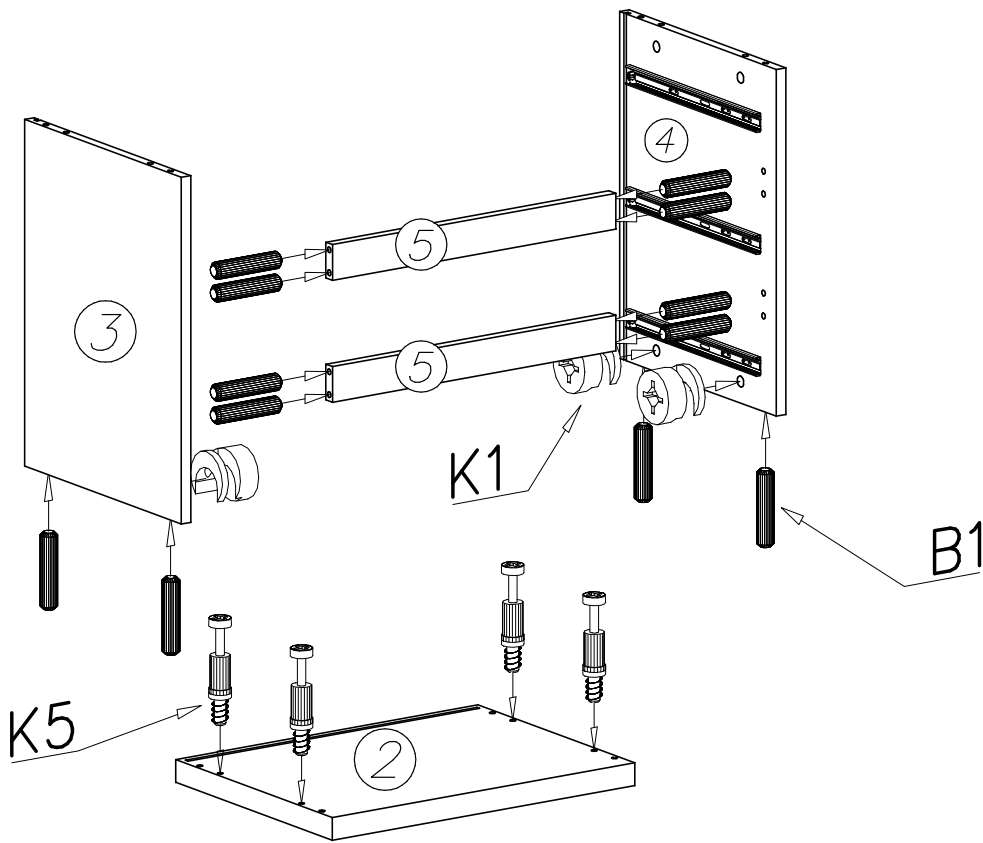
H22



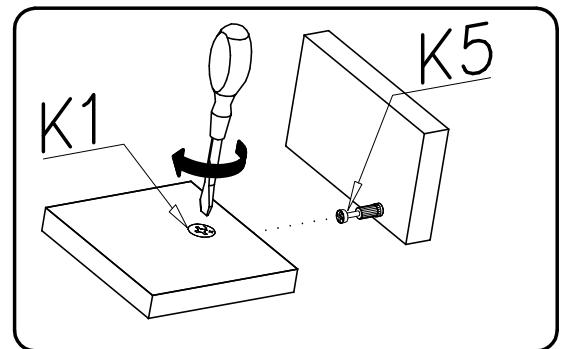
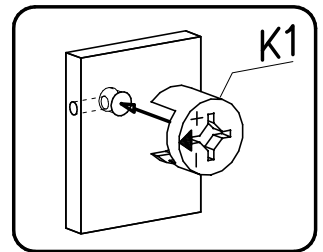
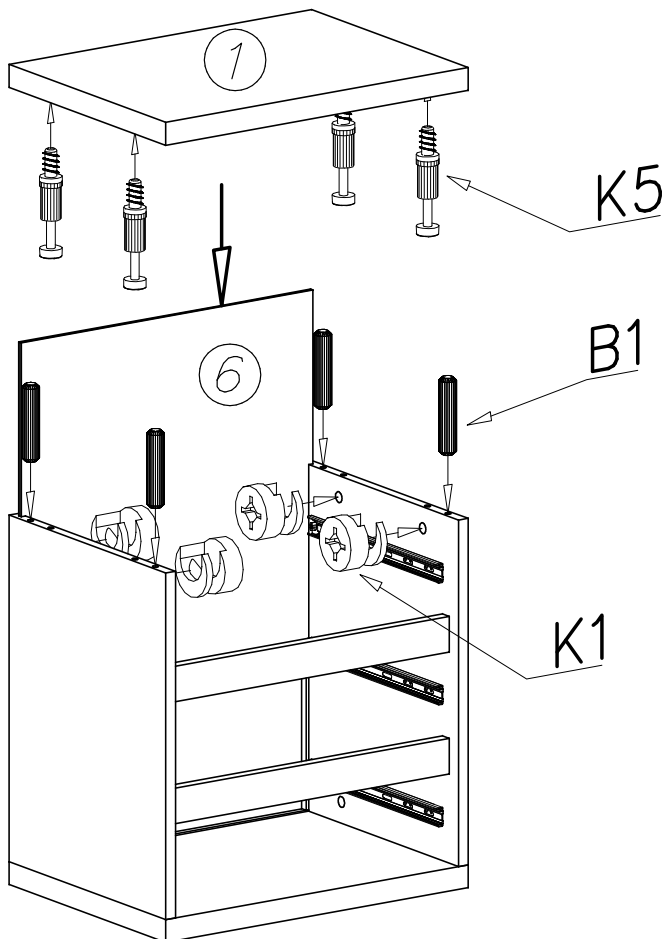
H22

G34

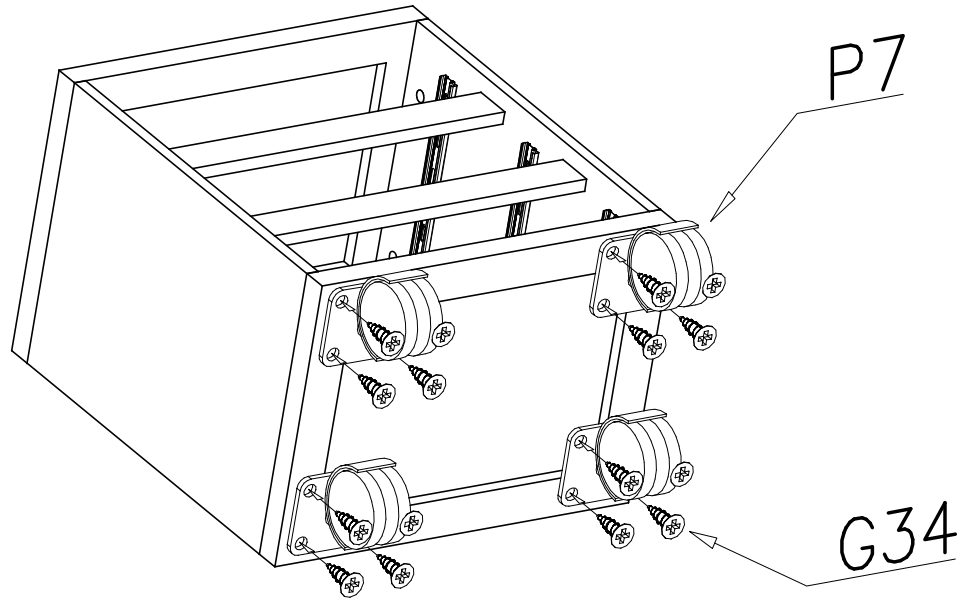
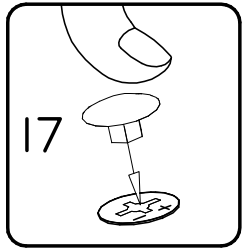
3



4



5



6

